



TCN \varnothing 42 R PTFE

CNC-CONTROLLED AUTOMATIC LATHE



FEATURES OF THE MACHINE

Model	unit	TCN 42 R
Spindle Work Field		
Spindle passage diameter		

Hollow bar (tube)	mm	Ø 42
Round Bar	mm	Ø 42
Hexagonal bar	CH	36
Square Bar	SW	29

Spindle

Available power	KW	7.5
Max. spindle revolutions	rpm	4000
Hammer gripper closure		

Cross trolley (X1 - Z1)

Transverse stroke X / longitudinal Z	mm	186/120
X/Z axis fast speed	m/min.	30
Axes motor	power	900W
	nom. torque	2.4Nm
	max. torque	7.2Nm

Cross slide (X2-Z2)

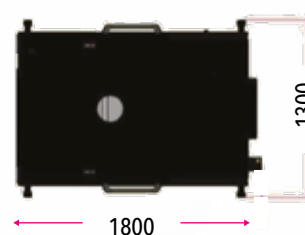
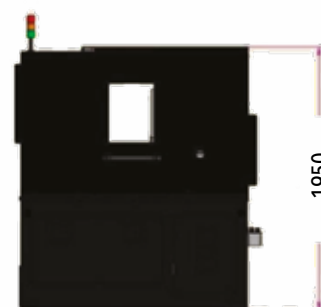
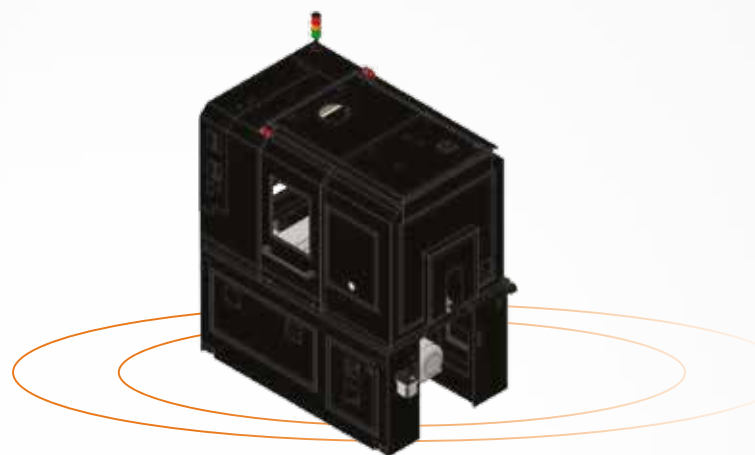
Transverse stroke X / longitudinal Z	mm	65/80
X/Z axis fast speed	m/min.	30
Axes motor	power	900W
	nom. torque	2.4Nm
	max. torque	7.2Nm
Tool section	mm	12x12

Cross slide (X3-Z3)

Transverse stroke X / longitudinal Z	mm	65/80
X/Z axis fast speed	m/min.	30
Axes motor	power	900W
	nom. torque	2.4Nm
	max. torque	7.2Nm
Tool section	mm	12x12

Cross slide (X4)

Cross stroke X	mm	46
X-axis fast speed	m/min.	30
Axis motor	power	900W
	nom. torque	2.4Nm
	max. torque	7.2Nm
Tool section	mm	12x12



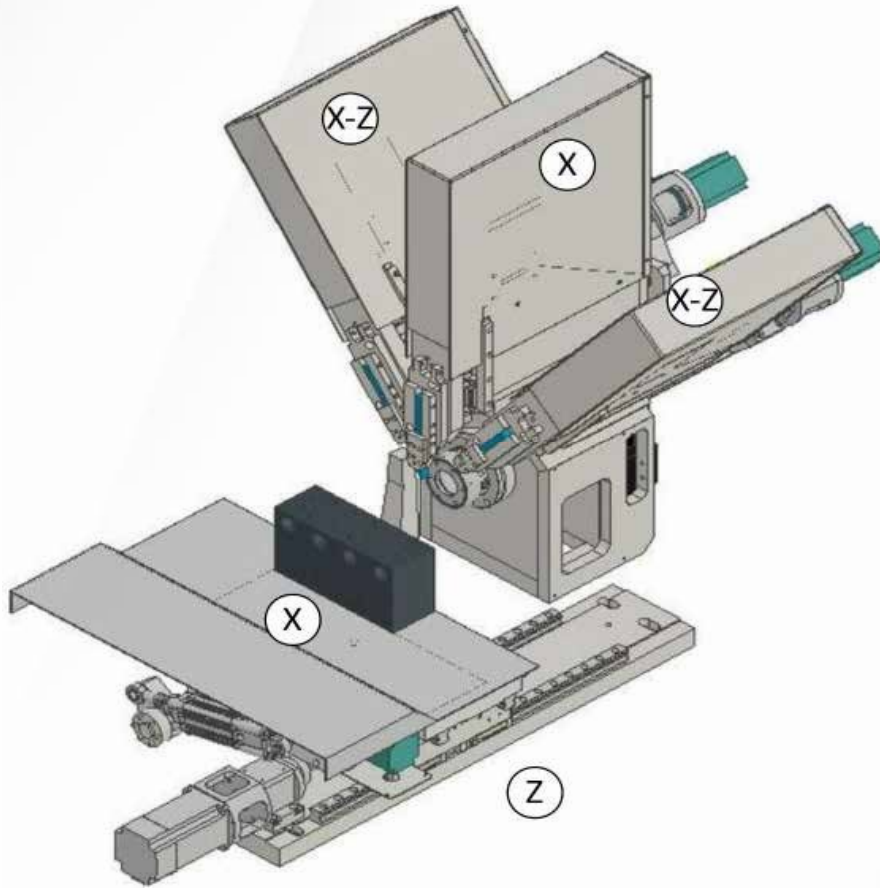
Quadruple non-motorised equipment for centre/hole/thread/turning

Number of tool stations	no.	4
Tool attachment	mm	Ø 25
Max. distance from spindle	mm	200
Longitudinal stroke Z	mm	120

Dimensions and weights

Overall dimensions (L x W x H)	mm	1800 x 1300 x 1950
Approximate weight	kg	2030

DATA OF POWER SUPPLY



ELECTRICAL AND PNEUMATIC SYSTEM

Voltage

Voltage 400V 50HZ

Installed power 20 Kw

Pneumatics 6 bar

TOLERANCES OF ELECTRICAL POWER SUPPLY

Voltage

Voltage at full speed: $\pm 5\%$ of the rated voltage.

Frequency

$\pm 1\%$ of the nominal frequency continuously.
 $\pm 2\%$ of the nominal frequency for a short period.

The logo consists of the letters 'ITS' in a bold, sans-serif font, centered within two concentric orange ovals. The background of the entire page is a gradient of orange, with a faint green oval in the top left and another in the bottom right.

ITS

**Via Lago di Molveno, 16 Z-I
36015 SCHIO (VI) - ITALY**

**amministrazione@itsitaly.net
www.itsitaly.net**

**T. +39 0445 576255
F. +39 0445 576257**